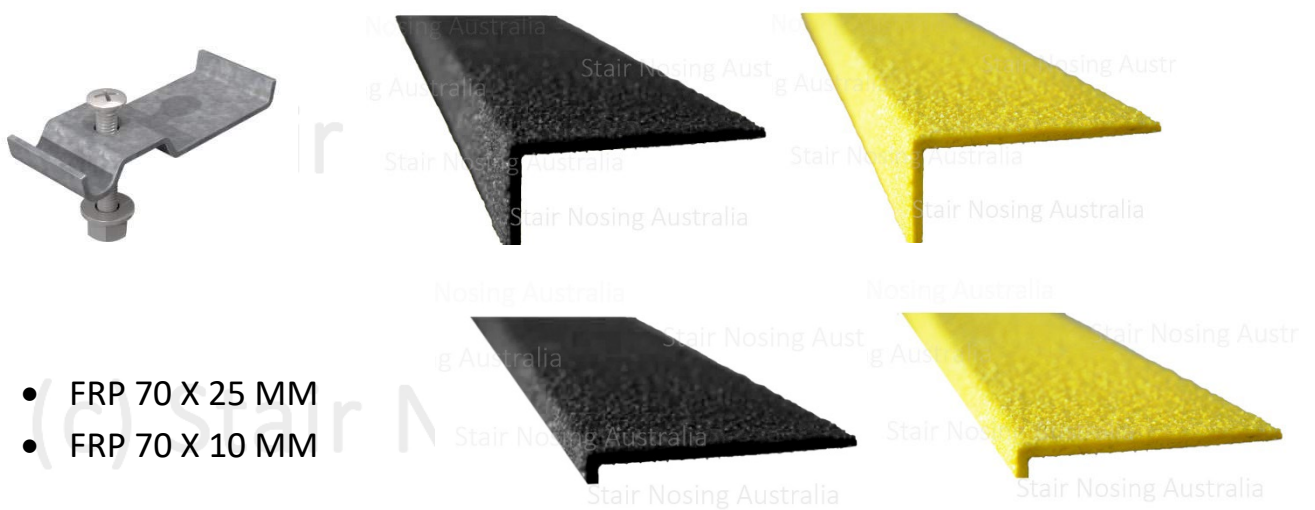


Contact: Daphne 0422 803 365

email: daphne@stairnosingaustralia.com.au

FRP Saddle Clip Assembly



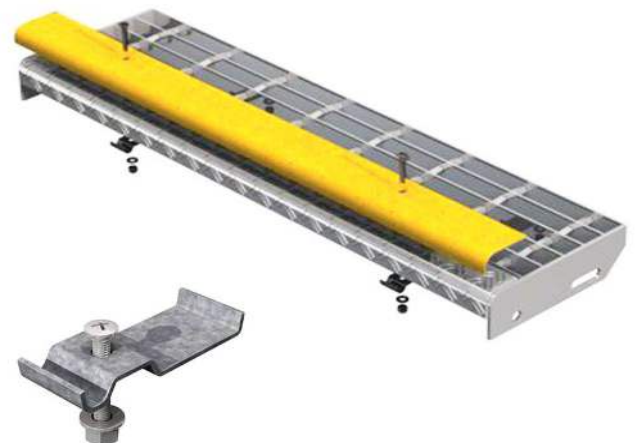
Installation

Place the nosing on the stair tread to ensure the nosing is the correct dimensions.

Remove the FRP nosing from the grid mesh step, and mark the locations for the fixings.

All fixings should be located at least 100 mm from each edge of the nosing, and to the centre of nosing as possible to ensure maximum stability

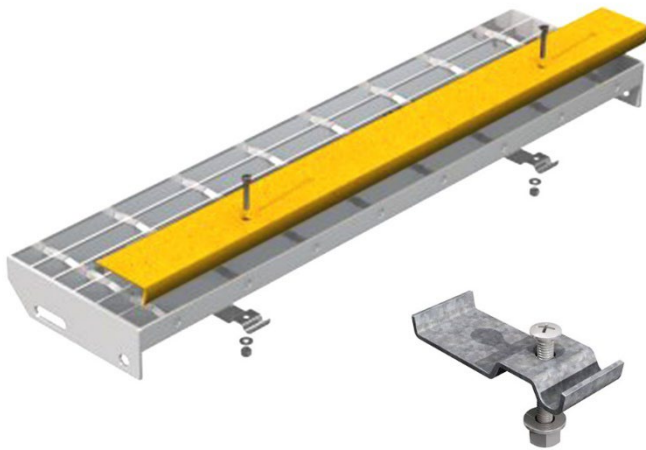
If you are using grid mesh stair treads, make sure your fixing doesn't clash with the openings in the tread and do not interfere with load bars.



(c) Stair Nosing Australia

Drill a hole using a metal drill piece, ensuring that the bit will go through the saddle clip assembly

(c) Stair Nosing Australia Install the nosing and make sure Everything is tight and secure.



Australia

Australia

(c) Stair Nosing Australia

(c) Stair Nosing Australia

(c) Stair Nosing Australia